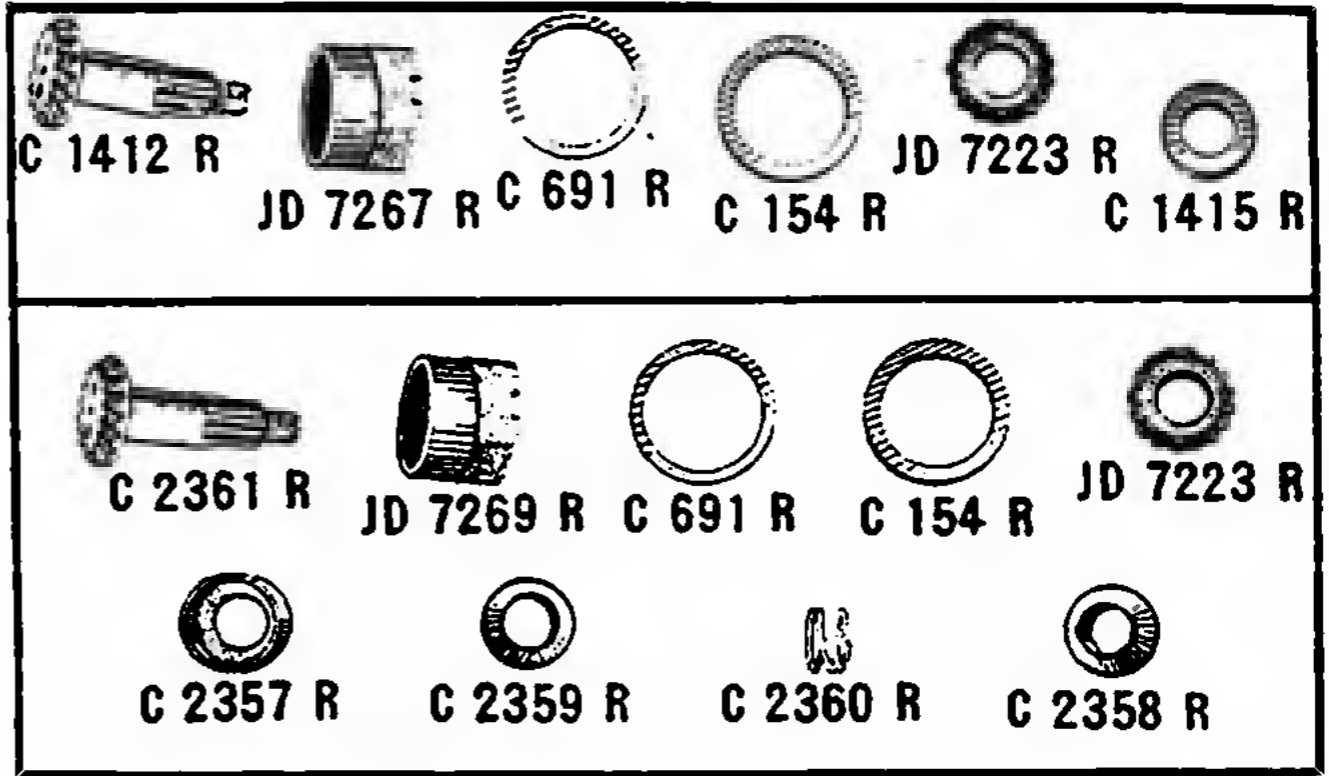
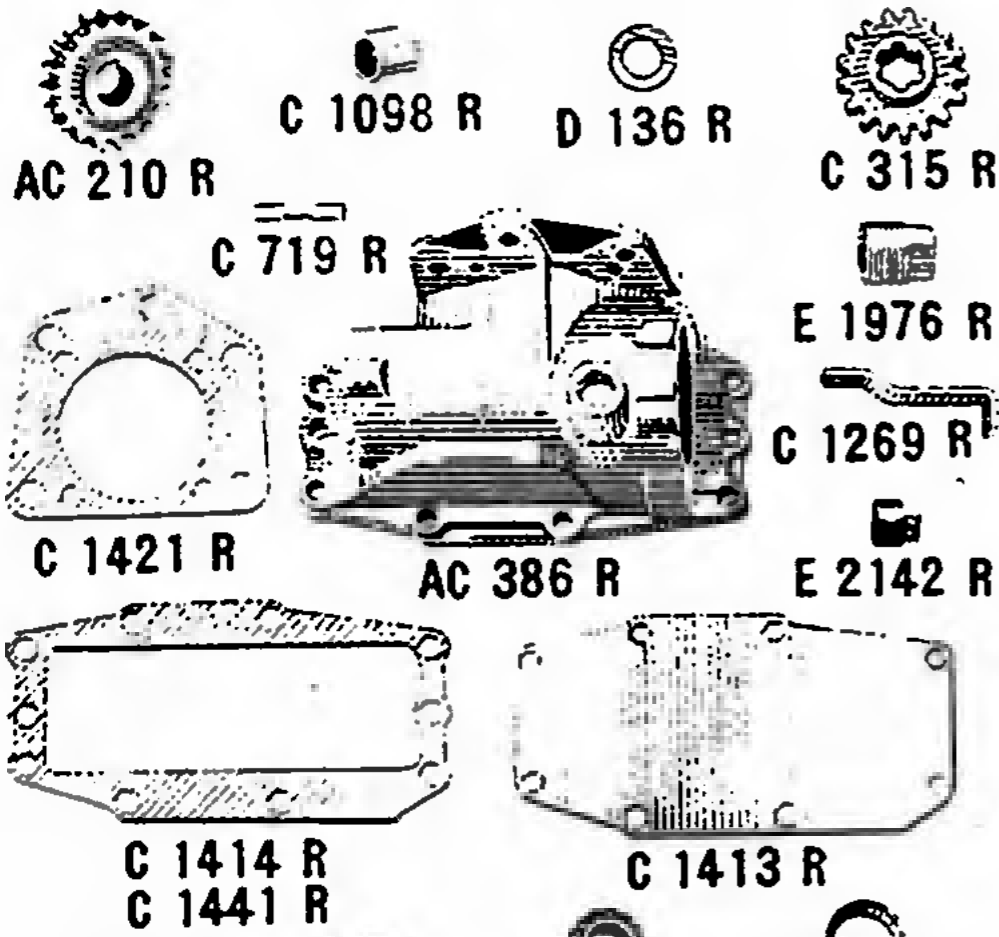
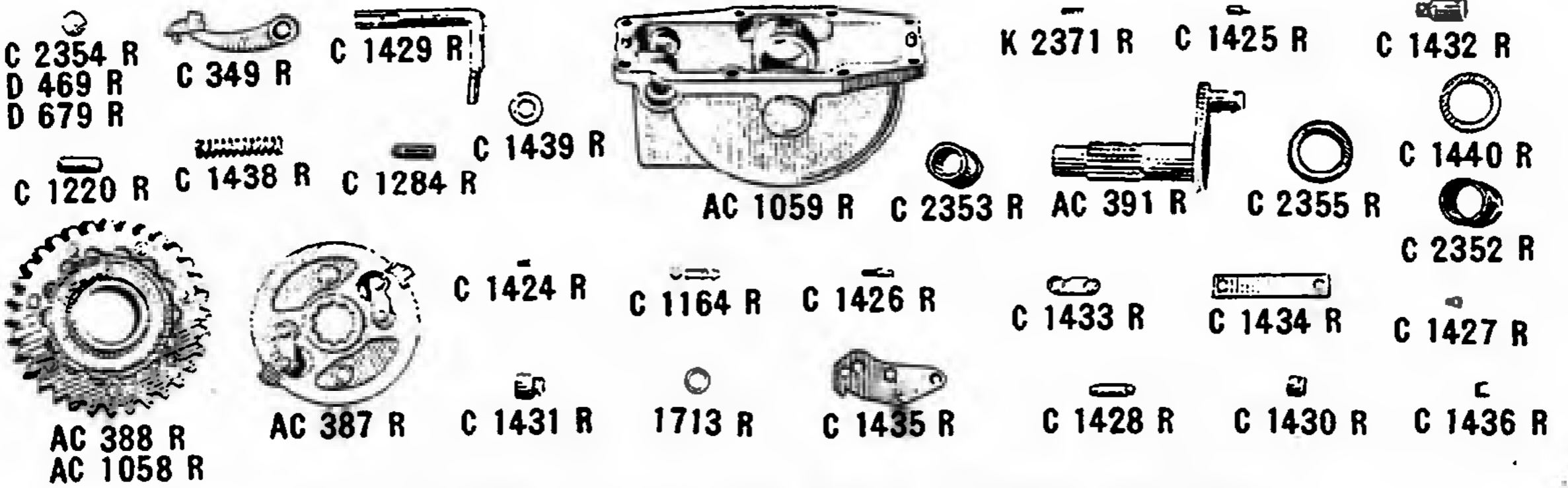


POWER SHAFT



POWER LIFT



POWER LIFT FOOT TRIP AND PITMAN ASSEMBLY

